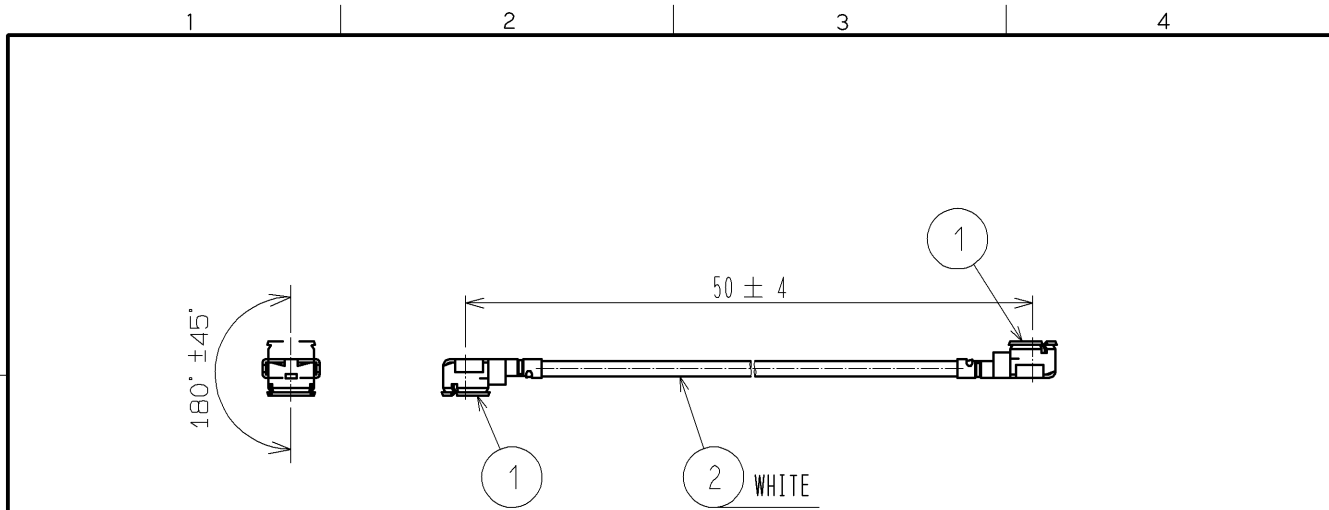


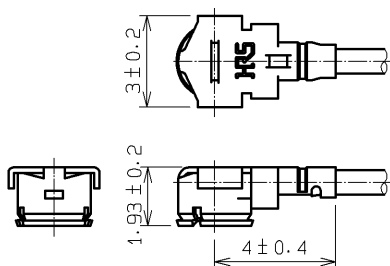
2014/05/16 04:22:57 ctanke

DRAWING FOR REFERENCE: This is subject to change without notice

APPLICABLE STANDARD					
RATING	OPERATING TEMPERATURE RANGE	-40°C TO +90°C(90%RH MAX)	STORAGE TEMPERATURE RANGE	-40°C TO +90°C(90%RH MAX)	
	POWER	———W	CHARACTERISTIC IMPEDANCE	50Ω (0 TO 6GHz)	
	PECULIARITY	———	APPLICABLE CABLE	FWS5033(WHITE) :KURABE INDUSTRIAL CO.,LTD.	
SPECIFICATIONS					
ITEM	TEST METHOD		REQUIREMENTS		QT AT
CONSTRUCTION					
GENERAL EXAMINATION	VISUALLY AND BY MEASURING INSTRUMENT.		ACCORDING TO DRAWING.		x x
MARKING	CONFIRMED VISUALLY.				x x
ELECTRIC CHARACTERISTICS					
CONTACT RESISTANCE	10 mA MAX (DC OR 1000 Hz).		CENTER CONTACT	115 mΩ MAX.	x x
			OUTER CONTACT	36 mΩ MAX.	x x
INSULATION RESISTANCE	100 V DC.		500 MΩ MIN.		x x
VOLTAGE PROOF	200 V AC FOR 1 min.CURRENT LEAKAGE 2mA MAX.		NO FLASHOVER OR BREAKDOWN.		x x
VOLTAGE STANDING WAVE RATIO	FREQUENCY 0.045 TO 3 GHz.		VSWR 1.3 MAX.		x —
	FREQUENCY 3 TO 6 GHz.		VSWR 1.35 MAX.		
INSERTION LOSS	FREQUENCY ----- TO ---- GHz		----- dB MAX.		— —
MECHANICAL CHARACTERISTICS					
CABLE CLAMP ROBUSTNESS (AGAINST CABLE PULL)	APPLYING A PULL FORCE THE CABLE AXIALLY AT 7 N MAX.		① NO WITHDRAWAL AND BREAKAGE OF CABLE. ② NO BREAKAGE OF CLAMP.		x —
COUNT	DESCRIPTION OF REVISIONS		DESIGNED	CHECKED	DATE
△					
REMARK			APPROVED	NK. NINOMIYA	14.04.17
RoHS COMPLIANT			CHECKED	MT. KANEKO	14.04.16
			DESIGNED	MS. MATSUMOTO	14.04.16
Unless otherwise specified, refer to JIS C 5402 / IEC-60512.			DRAWN	MS. MATSUMOTO	14.04.16
Note QT:Qualification Test AT:Assurance Test X:Applicable Test			DRAWING NO.		ELC4-357219-03
HRS	SPECIFICATION SHEET		PART NO.	U. FL-2LP-04K1T-AC- (50)	
	HIROSE ELECTRIC CO., LTD.		CODE NO.	CL321-6164-6-03	△ 1/1



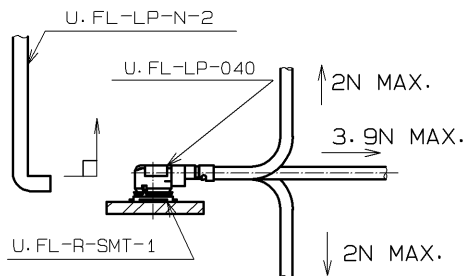
[DIMENSIONS OF CONNECTOR]



[PRECAUTIONS FOR HANDLING]

- ◆ Connector insertion and extraction
 - a. Connector shall be extracted vertically by specialised extraction JIG.
Part No. : U.FL-LP-N-2 (CL Code : CL331-0494-5)
Never hold the cable when extracting the cable because it damages the connector.
 - b. Insert the connector as perpendicularly to the mating surface as possible by aligning the mating axes of both connectors. Do not excessively slant the connectors when inserting.

- ◆ Allowable loads on the cable after the connectors are mated.
The figures below show the maximum allowable loads on the cable. Do not apply loads exceeding these values to the cable.



RoHS COMPLIANT

1	U.FL-LP-040	CL331-0451-2	2	FWS5033(WHITE)	KURABE INDUSTRIAL CO., LTD.		
NO.	PART NO.	CODE NO.	NO.	PART NO.	MANUFACTURER		
UNITS mm		SCALE FREE	COUNT 	DESCRIPTION OF REVISIONS	DESIGNED	CHECKED	DATE
HIROSE ELECTRIC CO., LTD.	APPROVED	: NK. NINOMIYA	14. 04. 17	DRAWING NO.	EDC4-357219-03		
	CHECKED	: MT. KANEKO	14. 04. 16	PART NO.	U.FL-2LP-04K1T-AC-(50)		
	DESIGNED	: MS. MATSUMOTO	14. 04. 16	CODE NO.	CL321-6164-6-03		1/1
	DRAWN	: MS. MATSUMOTO	14. 04. 16				